

Reissued: 30-Jul-02

| | | |
|-------------------|----------------|----------------|
| Model: Model K-P2 | Date: 4-Jun-02 | No.: RG073001a |
|-------------------|----------------|----------------|

RTB Reissue

The items in bold italics have been added.

| | | | |
|--|--|---|---|
| Subject: Printer Controller Firmware History | | Prepared by: A. Ishiyama | |
| From: Technical Services sec. Service Planning Dept. | | | |
| Classification: | <input type="checkbox"/> Troubleshooting | <input type="checkbox"/> Part information | <input checked="" type="checkbox"/> Action required |
| | <input type="checkbox"/> Mechanical | <input type="checkbox"/> Electrical | <input type="checkbox"/> Service manual revision |
| | <input type="checkbox"/> Paper path | <input type="checkbox"/> Transmit/receive | <input type="checkbox"/> Retrofit information |
| | <input type="checkbox"/> Other () | | |

Printer controller firmware history for the Model K-P2 (Kir-P2: G073/G074 model).

| Part Number | Version | Production |
|------------------|-------------|-----------------------------|
| G0735900E | 1.04 | April '02 production |
| G0735900D | 1.03 | March '02 production |
| G0735900C | 1.02 | February '02 production |
| G0735900B | 1.01 | First mass production |

Note: The above firmware is being used in USA, Europe, and Asia models.

Descriptions of the changes

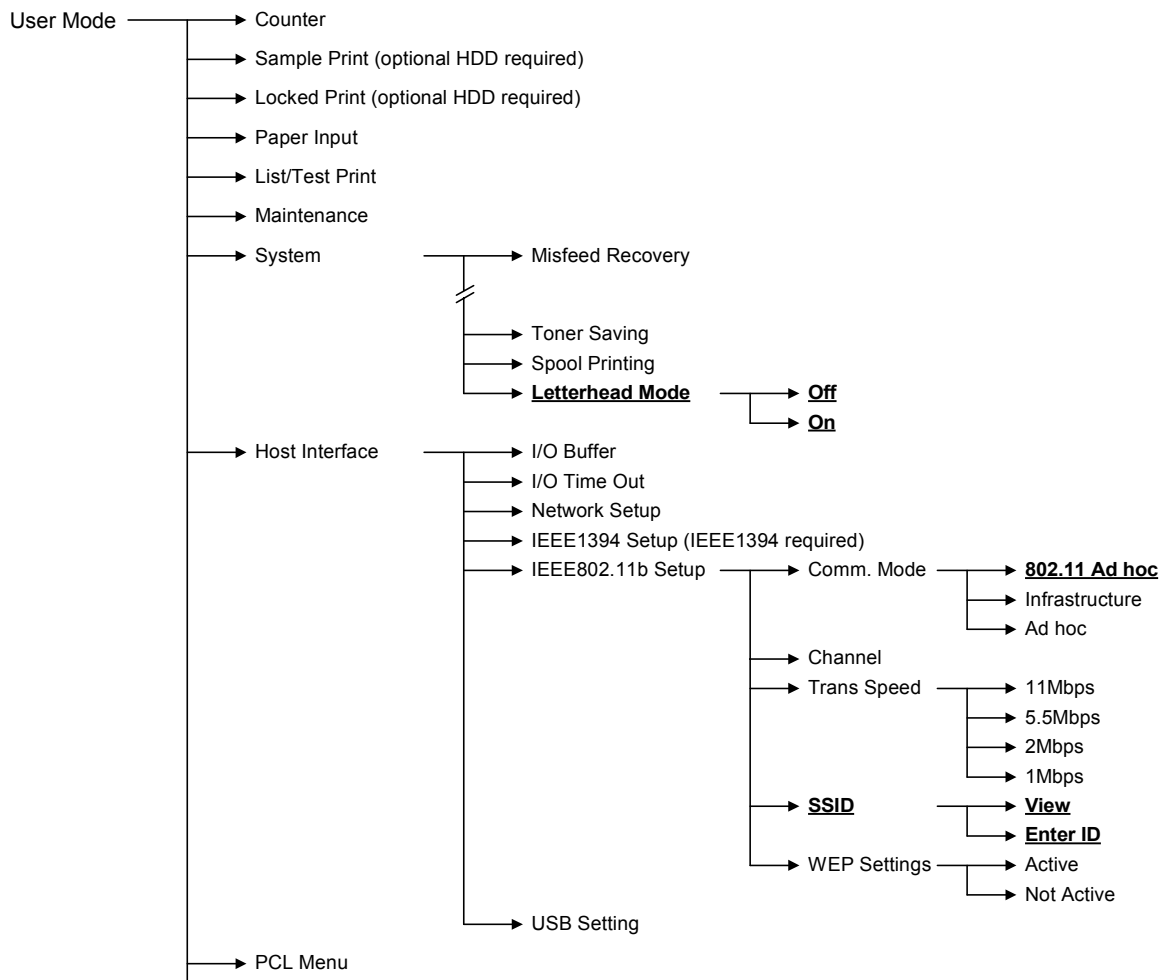
| Descriptions | Version |
|--|-------------|
| <p><i>Firmware modified to correct the following:</i></p> <ol style="list-style-type: none"> SNMP vulnerability <i>SNMP security vulnerabilities reported by CERT on Feb.12, 2002 have been confirmed and fixed through the PROTON c06-snmpv1 test suite.</i> -CERT: http://www.cert.org/advisories/CA-2002-03.html -PROTON c06-snmpv1 test Suite: http://www.ee.oulu.fi/research/ouspg/protos/testing/c06/snmpv1/ | 1.04 |
| <p>New features added to User Mode (see the next page for the User Mode tree):</p> <ol style="list-style-type: none"> Letterhead Mode On: The machine feeds all pages through the duplex unit so that the last page of a job with an odd number of pages is printed onto the front side of the paper. Off (default setting): The last sheet of a job with an odd number of pages is not fed through the duplex unit. Therefore, although the output time of this sheet is slightly faster, the last page is printed onto the rear side. 802.11 Ad hoc mode (one type of Ad hoc mode used with wireless LAN) is supported from this version. SSID (used for infrastructure mode with wireless LAN) can now be programmed from User Mode as well – previously, this was only possible using Web Status Monitor or telnet. 128-bit WEP key (a wireless LAN security feature) is supported from this version. Previous versions supported only 64-bit WEP. | |

Reissued: 30-Jul-02

| | | |
|-------------------|----------------|----------------|
| Model: Model K-P2 | Date: 4-Jun-02 | No.: RG073001a |
|-------------------|----------------|----------------|

| Descriptions | Version |
|--|---------|
| Firmware modified to correct the following problem: 1. A program update error occurs when Verify mode in the firmware updating procedure is used. Please refer to RTB No. G0730002 for details. 2. The PM counter count-up method for Meter-charge mode is corrected. Change in Specification: Symbol sets PC-858, Latin 9 and Roman 9 are added for the EURO currency symbol. | 1.03 |
| Firmware modified to correct the following problem: While downloading PS fonts to a machine with the HDD option installed, the correct PS serial number cannot be output. | 1.02 |

User Mode Tree



Underlined features have been added from version 1.04.

| | | | |
|---|---|---|--|
| Model: Model K-P2 | | Date: 4-Jun-02 | No.: RG073002 |
| Subject: Problems Using "Verify" in the Firmware Update | | Prepared by: A. Ishiyama | |
| From: Technical Services sec. Service Planning Dept. | | | |
| Classification: | <input checked="" type="checkbox"/> Troubleshooting | <input type="checkbox"/> Part information | <input type="checkbox"/> Action required |
| | <input type="checkbox"/> Mechanical | <input type="checkbox"/> Electrical | <input type="checkbox"/> Service manual revision |
| | <input type="checkbox"/> Paper path | <input type="checkbox"/> Transmit/receive | <input type="checkbox"/> Retrofit information |
| | <input type="checkbox"/> Other () | | |

SYMPTOM:

When the controller firmware installed in the machine is ver1.20 or older (and different from the version in the IC card), a program update error will occur and the machine will freeze up if the version is confirmed using **Verify Mode**.

Note: Once this occurs, the condition cannot be cleared without the recovery procedure below.

SOLUTION:

Do not use Verify Mode before performing the update if the version in the machine is 1.02 or older. If the machine version is unknown, this can be confirmed by printing out the configuration page.

Note:

Normally, Verify Mode is used after the update is performed, in which case the symptom will not occur since the IC card and mainframe controller versions are the same.

Recovery Procedure:

If the symptom does occur, please perform the following:

1. Turn off the main switch, remove the controller board from the machine and change DIP switch 2 **bit 1 to On**.
2. Reattach the controller, insert the IC card and turn on the machine. The machine automatically starts updating the firmware.
3. When the update is finished, turn off the machine and remove the controller and IC card. Then, reset DIP switch 2 **bit 1 to Off** and reattach the controller.

For the details on this procedure, please refer to the Model K-P1 Service Manual, pg. 5-15.

| | | | |
|--|--|---|---|
| Model: Model K-P2 | | Date: 6-Aug-02 | No.: RG073003 |
| Subject: Printer Engine Firmware History | | Prepared by: A. Ishiyama | |
| From: Technical Services sec. Service Planning Dept. | | | |
| Classification: | <input type="checkbox"/> Troubleshooting | <input type="checkbox"/> Part information | <input checked="" type="checkbox"/> Action required |
| | <input type="checkbox"/> Mechanical | <input type="checkbox"/> Electrical | <input type="checkbox"/> Service manual revision |
| | <input type="checkbox"/> Paper path | <input type="checkbox"/> Transmit/receive | <input type="checkbox"/> Retrofit information |
| | <input type="checkbox"/> Other () | | |

Printer engine firmware history for the Model K-P2 (G073/G074).

| Part Number | Version | Production |
|------------------|-------------|----------------------------|
| G0765135E | 1.06 | July '02 production |
| G0765135D | 1.05 | First mass production |

Note: The above firmware is being used on NA, Europe, and Asia models.

Descriptions of the changes

| Descriptions | Version |
|--|-------------|
| <i>Firmware modified to correct the following:</i> <ul style="list-style-type: none"> The Main Scan Magnification Adjustment (SP Mode) did not function properly with the previous version. | 1.06 |

Reissued: 13-Aug-02

| | | |
|-------------------|----------------|----------------|
| Model: Model K-P2 | Date: 4-Jun-02 | No.: RG073001b |
|-------------------|----------------|----------------|

RTB Update

The items in bold italics have been added.

| | | | |
|--|--|---|---|
| Subject: Printer Controller Firmware History | | Prepared by: A. Ishiyama | |
| From: Technical Services sec. Service Planning Dept. | | | |
| Classification: | <input type="checkbox"/> Troubleshooting | <input type="checkbox"/> Part information | <input checked="" type="checkbox"/> Action required |
| | <input type="checkbox"/> Mechanical | <input type="checkbox"/> Electrical | <input type="checkbox"/> Service manual revision |
| | <input type="checkbox"/> Paper path | <input type="checkbox"/> Transmit/receive | <input type="checkbox"/> Retrofit information |
| | <input type="checkbox"/> Other () | | |

The following is the printer controller firmware history for the Model K-P2 (Kir-P2: G073/G074 model).

| Part Number | Version | Production |
|-------------------------|--------------------|-----------------------------------|
| <i>G0735900F</i> | <i>1.05</i> | <i>June '02 production</i> |
| G0735900E | 1.04 | April '02 production |
| G0735900D | 1.03 | March '02 production |
| G0735900C | 1.02 | February '02 production |
| G0735900B | 1.01 | First mass production |

Note: The above firmware is being used in USA, European, and Asian models.

Descriptions of changes

| Descriptions | Version |
|---|-------------|
| <p><i>The following have been fixed:</i></p> <p><i>PCL</i></p> <ul style="list-style-type: none"> <i>Certain characters do not print (GFPR #RC02010008)</i> <i>Modified so that some characters in symbol sets MS Text and Windows Baltic (19L) will appear exactly as they do with HP printers.</i> <i>Modified so that PCLXL unsupported symbol (6M, 13J and 14J) sets will appear as "XL ERROR".</i> <p><i>Change in Specifications:</i></p> <ul style="list-style-type: none"> <i>If the machine has no HDD option, the PCL HDD Directory List (and font source) will not be printed on the PCL Configuration Page.</i> <i>Supports the Status Readback function of PCL5e.</i> <i>If an SSID is not entered, the message "SSID not entered" will appear on the control panel for 3 seconds.</i> <i>Supports PCLXL Euro symbol sets (PC-858, Latin 9, and Roman 9).</i> | 1.05 |

| | | | |
|--|--|---|---|
| Model: Model K-P2 | | Date: 11-Nov-02 | No.: RG073004 |
| Subject: New Wireless LAN Option (IEEE802.11b) | | Prepared by: A. Ishiyama | |
| From: Technical Services sec. Service Planning Dept. | | | |
| Classification: | <input type="checkbox"/> Troubleshooting | <input type="checkbox"/> Part information | <input checked="" type="checkbox"/> Action required |
| | <input type="checkbox"/> Mechanical | <input type="checkbox"/> Electrical | <input type="checkbox"/> Service manual revision |
| | <input type="checkbox"/> Paper path | <input type="checkbox"/> Transmit/receive | <input type="checkbox"/> Retrofit information |
| | <input type="checkbox"/> Other () | | |

This RTB has been issued to announce the necessary action for when installing the new Wireless LAN option planned for Feb '03 (802.11b Interface Unit Type A: G373-17/EDP 402001, G373-27/EDP 402002) on the current product.

Action Required

The IC chip on the new wireless LAN option has been changed (old chip discontinued), making it necessary to update the controller firmware to v1.07 (G0735900G) or newer when installing the new wireless LAN option on machines. This is because there is no interchangeability between the new option and previous controller firmware versions.

Since the interchangeability is X/O, controller firmware v1.07 or newer will work with either the current or new wireless LAN options. Also, v1.07 has been applied to the production line from October '02 (see RTB #RG073001c).

Note:

1. Both wireless LAN options are compatible with all versions of engine firmware.
2. If the new wireless LAN option is installed on a machine with controller firmware older than v1.07, the following will be displayed on the LCD:

| |
|----------------------------------|
| Hardware Problem IEEE 802.11b |
|----------------------------------|

| | | | |
|--|--|---|---|
| Model: Model K-P2 | | Date: 11-Nov-02 | No.: RG073005 |
| Subject: Additional SC Codes | | Prepared by: A. Ishiyama | |
| From: Technical Services sec. Service Planning Dept. | | | |
| Classification: | <input type="checkbox"/> Troubleshooting | <input type="checkbox"/> Part information | <input type="checkbox"/> Action required |
| | <input type="checkbox"/> Mechanical | <input type="checkbox"/> Electrical | <input checked="" type="checkbox"/> Service manual revision |
| | <input type="checkbox"/> Paper path | <input type="checkbox"/> Transmit/receive | <input type="checkbox"/> Retrofit information |
| | <input type="checkbox"/> Other () | | |
| | | | |

Please add the following information to your Service Manuals.

| Additional SC Code | | Symptom | Possible Cause |
|--------------------|---|---|--|
| 819 | B | Kernel abnormal end error | HDD error |
| | | A HDD error or a software error has occurred, terminating the SCS process, gwinit process, and finally the kernel program. A system process has used up all the RAM. | Software application error RAM shortage |
| 998 | B | Application Start Error | Software defective. |
| | | After power on, the application does not start within 60s. (All applications neither start nor end normally.) | An option required by the application (RAM, DIMM, board) is not installed. |

| | | | |
|--|---|---|---|
| Model: General RTB | | Date: 8-Nov-02 | No.: RGene011 |
| Subject: Euro symbol not printed with PS driver | | Prepared by: T. Itoh | |
| From: Technical Services sec. Service Planning Dept. | | | |
| Classification: | <input checked="" type="checkbox"/> Troubleshooting | <input type="checkbox"/> Part information | <input checked="" type="checkbox"/> Action required |
| | <input type="checkbox"/> Mechanical | <input type="checkbox"/> Electrical | <input type="checkbox"/> Service manual revision |
| | <input type="checkbox"/> Paper path | <input type="checkbox"/> Transmit/receive | <input type="checkbox"/> Retrofit information |
| | <input type="checkbox"/> Other () | | |

SYMPTOM

When printing with the PS driver, the Euro currency symbol is not printed out with 112 of 136 fonts, which are stored in the font ROM in GW-based products.

The following are GW-based products:

Model-K3, Model-K P2, Russian-C2, Adonis- C2, Model-A P3, Model-J P1b, Model-J CF
Model-U P1, Model-U C1, Martini-C1.

CAUSE

The Euro currency symbol was not included in the font ROM.

SOLUTION

Temporary Solution (1)

A workaround for each operating system has been previously released on the FAQ page, and is included on pp. 5-8 below.

Temporary Solution (2)

Although the font ROM will be modified as a permanent solution (details below), before this can be applied, the controller firmware has been modified on the following GW-based products:

| Product | Firmware Version | Product | Firmware Version |
|------------|----------------------------|-------------|----------------------------|
| Model-K3 | 1.01 (Controller) | Model-J P1b | 2.18 (Controller) |
| Model-K P2 | 1.06.1 (Controller) | Model-J CF | 1.11 (Printer Application) |
| Russian-C2 | 2.03 (Printer Application) | Model-U P1 | 2.20 (Printer Application) |
| Adonis-C2 | 3.09 (Printer Application) | Model-U C1 | 1.22 (Printer Application) |
| Model-A P3 | 1.08 (Controller) | Martini-C1 | 1.01 (Printer Application) |

Specifically, the Euro currency symbol has been added along with the “PS fonts download” feature, which allows the symbol to be downloaded to machine RAM. Enable this feature by changing the setting of Bit SW#3-0 to “1 (ON)” in SP mode (default: OFF).

| | | |
|--------------------|----------------|---------------|
| Model: General RTB | Date: 8-Nov-02 | No.: RGene011 |
|--------------------|----------------|---------------|

Remarks for Temporary Solution 2:

1. Switching PDL to PS takes approximate 7 to 10 seconds.

When PS fonts download is enabled, the Euro symbol is temporarily downloaded to the machine RAM at the first PS printing job, and whenever the PDL is switched from RPCS or PCL to PS. The total download time is approximately 7 to 10 seconds. This is because once the data is downloaded, it will remain in the RAM until the PDL is switched or the power turned off.

2. Printing high image area documents at 1200 dpi may cause a memory overflow error in machines equipped only with 32MB of memory (ex. Model-K P2).

This is because the PS fonts download feature uses approximately 800kB, which can bring the amount of available memory close to capacity with the above printing conditions.

Workaround:

- Printing at 600dpi may prevent an overflow, even with just the 32MB memory installed.
- Changing the memory usage setting from “Frame Priority” to “Font Priority” may prevent an overflow.

Permanent Solution

Modification of the font ROM on the ROM DIMM or the Controller Board, from October '02, production or later (details differ depending on the model). Specifically, the Euro currency symbol has been added to the 112 fonts mentioned above.

Note:

1. When the new ROM DIMM or Controller Board is installed, it is not necessary to disable the PS fonts download feature (temporary solution).
2. An MB will be issued separately announcing the P/N change for the ROMM DIMM and Controller Boards, and cut-in serial number.

ROM DIMM and Controller Board P/N:

| Model | Where the font ROM is soldered | Current P/N | Model | Where the font ROM is soldered | Current P/N |
|-------------|--------------------------------|-------------|------------|--------------------------------|-------------|
| Model-K P2 | Controller | G0735712 | Model-J CF | ROM DIMM | G5706687 |
| | | G0745712 | Model-U P1 | ROM DIMM | G0705851 |
| Adonis-C2 | ROM DIMM | B3615117 | Model-U C1 | ROM DIMM | B5295117 |
| | | B3625118 | | | B4635117 |
| Model-A P3 | Controller | G0656022 | Martini-C1 | ROM DIMM | G3395117 |
| | | G0656023 | | | G3385117 |
| Russian-C2 | ROM DIMM | B4615117 | Model-K3 | Controller | B5165750 |
| | | B4535117 | | | |
| Model-J P1b | ROM DIMM | G0776120 | | | |

| | | |
|--------------------|----------------|---------------|
| Model: General RTB | Date: 8-Nov-02 | No.: RGene011 |
|--------------------|----------------|---------------|

Font Table

| | |
|--|--|
| | Euro symbol is printed correctly. |
| | This is a symbol font, so no countermeasure is applied. |
| | Both temporary and permanent solutions work to print out the Euro currency symbol correctly. |

| | | |
|---------------------------|------------------------------|------------------------------|
| AlbertusMT | Helvetica | Univers |
| AlbertusMT-Italic | Helvetica-Bold | Univers-Bold |
| AlbertusMT-Light | Helvetica-BoldOblique | Univers-BoldExt |
| AntiqueOlive-Bold | Helvetica-Condensed | Univers-BoldExtObl |
| AntiqueOlive-Compact | Helvetica-Condensed-Bold | Univers-BoldOblique |
| AntiqueOlive-Italic | Helvetica-Condensed-BoldObl | Univers-Condensed |
| AntiqueOlive-Roman | Helvetica-Condensed-Oblique | Univers-CondensedBold |
| Apple-Chancery | Helvetica-Narrow | Univers-CondensedBoldOblique |
| Arial-BoldItalicMT | Helvetica-Narrow-Bold | Univers-CondensedOblique |
| Arial-BoldMT | Helvetica-Narrow-BoldOblique | Univers-Extended |
| Arial-ItalicMT | Helvetica-Narrow-Oblique | Univers-ExtendedObl |
| ArialMT | Helvetica-Oblique | Univers-Light |
| AvantGarde-Book | HoeflerText-Black | Univers-LightOblique |
| AvantGarde-BookOblique | HoeflerText-BlackItalic | Univers-Oblique |
| AvantGarde-Demi | HoeflerText-Italic | Wingdings-Regular |
| AvantGarde-DemiOblique | HoeflerText-Ornaments | ZapfChancery-MediumItalic |
| Bodoni | HoeflerText-Regular | ZapfDingbats |
| Bodoni-Bold | JoannaMT | |
| Bodoni-BoldItalic | JoannaMT-Bold | |
| Bodoni-Italic | JoannaMT-BoldItalic | |
| Bodoni-Poster | JoannaMT-Italic | |
| Bodoni-PosterCompressed | LetterGothic | |
| Bookman-Demi | LetterGothic-Bold | |
| Bookman-DemiItalic | LetterGothic-BoldSlanted | |
| Bookman-Light | LetterGothic-Slanted | |
| Bookman-LightItalic | LubalinGraph-Book | |
| Carta | LubalinGraph-BookOblique | |
| Chicago | LubalinGraph-Demi | |
| Clarendon | LubalinGraph-DemiOblique | |
| Clarendon-Bold | Marigold | |
| Clarendon-Light | MonaLisa-Recut | |
| CooperBlack | Monaco | |
| CooperBlack-Italic | NewCenturySchlbk-Bold | |
| Copperplate-ThirtyThreeBC | NewCenturySchlbk-BoldItalic | |
| Copperplate-ThirtyTwoBC | NewCenturySchlbk-Italic | |
| Coronet-Regular | NewCenturySchlbk-Roman | |
| Courier | NewYork | |
| Courier-Bold | Optima | |
| Courier-BoldOblique | Optima-Bold | |
| Courier-Oblique | Optima-BoldItalic | |
| Eurostile | Optima-Italic | |
| Eurostile-Bold | Oxford | |
| Eurostile-BoldExtendedTwo | Palatino-Bold | |
| Eurostile-ExtendedTwo | Palatino-BoldItalic | |

| | | |
|--------------------|----------------|---------------|
| Model: General RTB | Date: 8-Nov-02 | No.: RGene011 |
|--------------------|----------------|---------------|

| | |
|------------------------|------------------------------|
| Geneva | Palatino-Italic |
| GillSans | Palatino-Roman |
| GillSans-Bold | StempelGaramond-Bold |
| GillSans-BoldCondensed | StempelGaramond-BoldItalic |
| GillSans-BoldItalic | StempelGaramond-Italic |
| GillSans-Condensed | StempelGaramond-Roman |
| GillSans-ExtraBold | Symbol |
| GillSans-Italic | Tekton |
| GillSans-Light | Times-Bold |
| GillSans-LightItalic | Times-BoldItalic |
| Goudy | Times-Italic |
| Goudy-Bold | Times-Roman |
| Goudy-BoldItalic | TimesNewRomanPS-BoldItalicMT |
| Goudy-ExtraBold | TimesNewRomanPS-BoldMT |
| Goudy-Italic | TimesNewRomanPS-ItalicMT |
| | TimesNewRomanPSMT |

| | | |
|--------------------|----------------|---------------|
| Model: General RTB | Date: 8-Nov-02 | No.: RGene011 |
|--------------------|----------------|---------------|

Workaround Announced on the FAQ Page

Question:

Euro Fonts printing problem

Answer:

If Euro Fonts can't be printed by the PS driver, the following solutions may be effective.

Solution

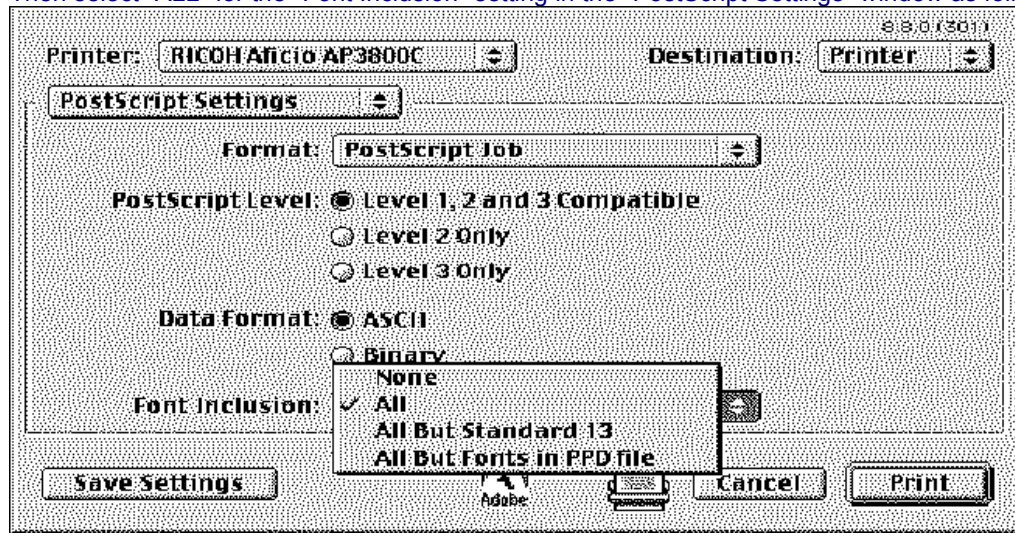
MacOS 9.x / 8.x

Use the AdobePS 8.8 printer driver.

Get the printer driver from the Adobe site on the web.

<http://www.adobe.com/support/downloads/product.jsp?product=44&platform=Macintosh>

Then select "ALL" for the "Font Inclusion" setting in the "PostScript Settings" window as follows.



Windows 95

Update Windows95 to "Euro Currency Support for Windows95".

You can get it from the following URL.

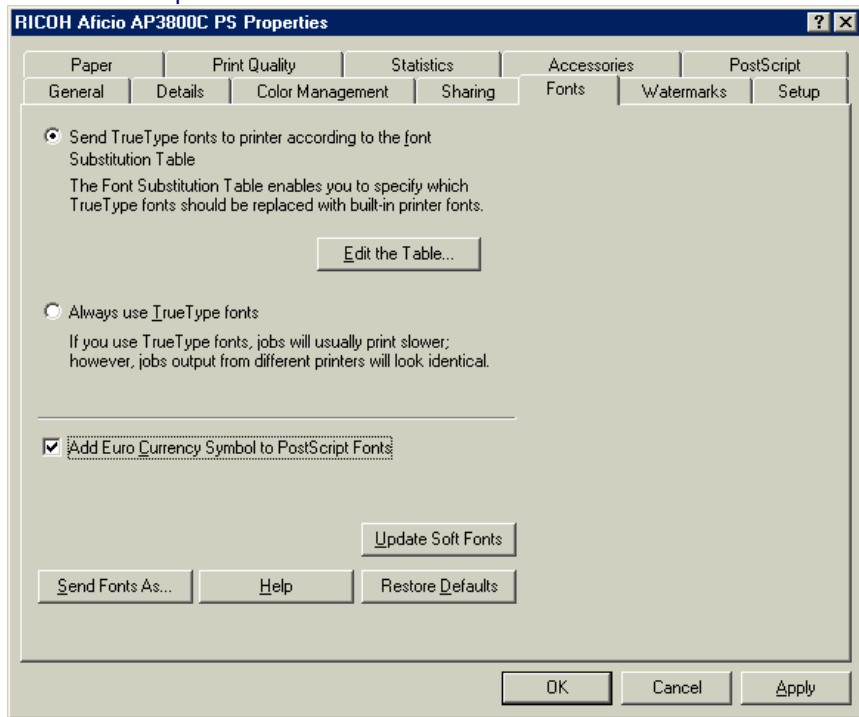
http://www.microsoft.com/windows95/downloads/contents/WURecommended/S_WUFeatured/W95EuroPatch/Default.asp

Then the "Add Euro Currency Symbol to PostScript Fonts" check box is available.

Check "Add Euro Currency Symbol to PostScript Fonts". (Before update, the check box doesn't work.)

| | | |
|--------------------|----------------|---------------|
| Model: General RTB | Date: 8-Nov-02 | No.: RGene011 |
|--------------------|----------------|---------------|

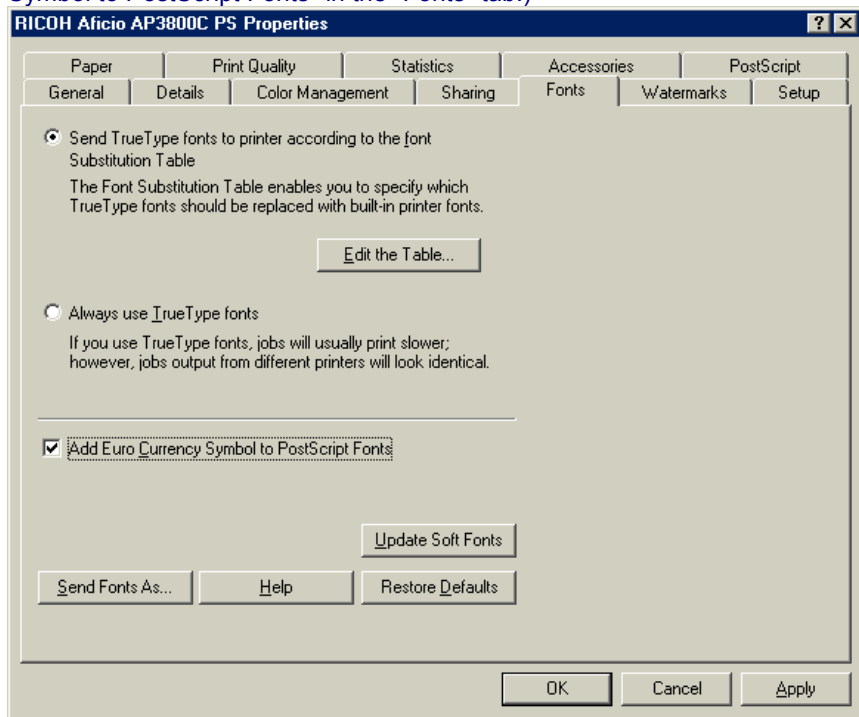
Windows95 after update



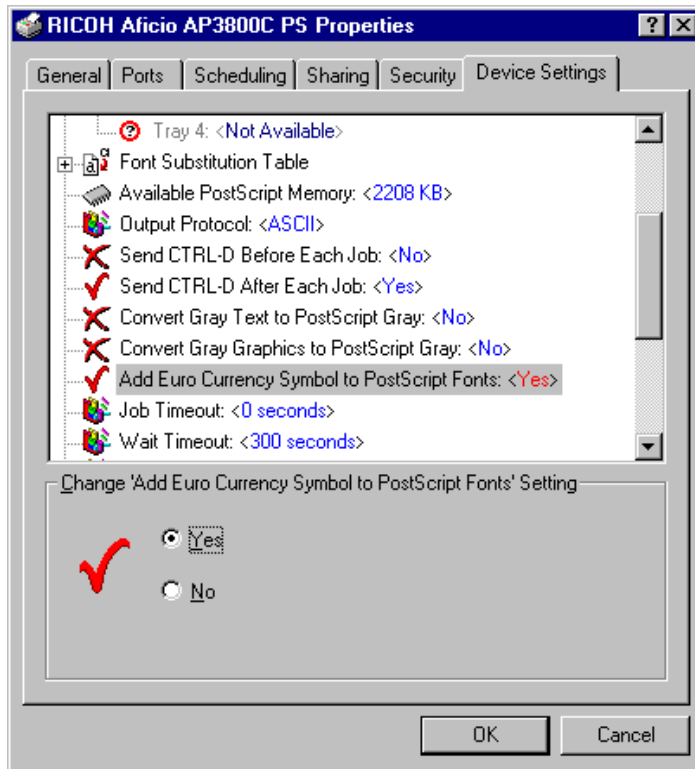
Windows 98 / ME / NT4.0 / XP

Check "Add Euro Currency Symbol to PostScript Fonts" .

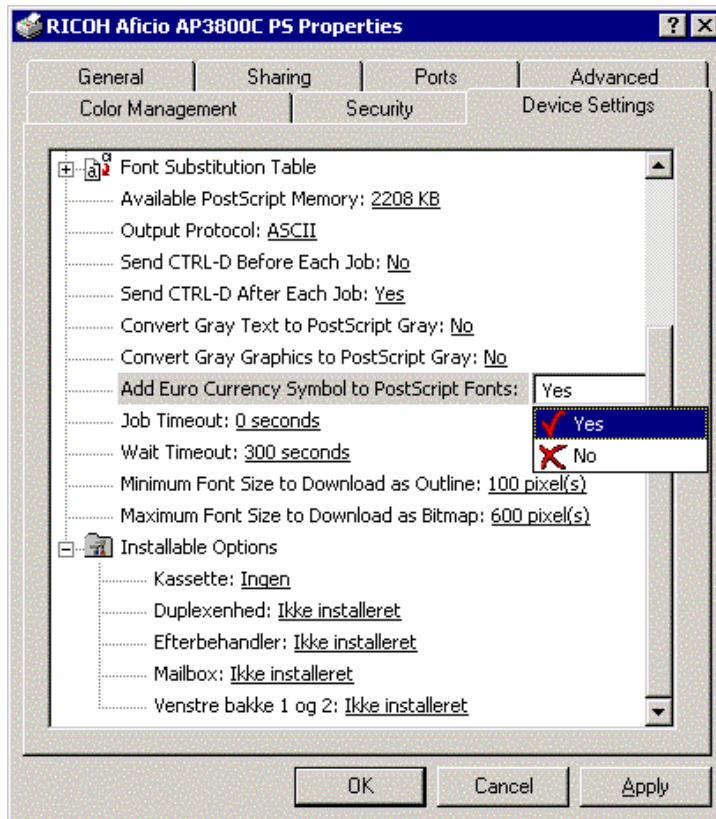
Windows 98 / ME (Note: The AdobePS driver version 4.3.1 or later has "Add Euro Currency Symbol to PostScript Fonts" in the "Fonts" tab.)



Windows NT4.0



Windows XP



| | | |
|--------------------|----------------|---------------|
| Model: General RTB | Date: 8-Nov-02 | No.: RGene011 |
|--------------------|----------------|---------------|

Windows 2000

Update the printer driver to v5.5.2 or later.

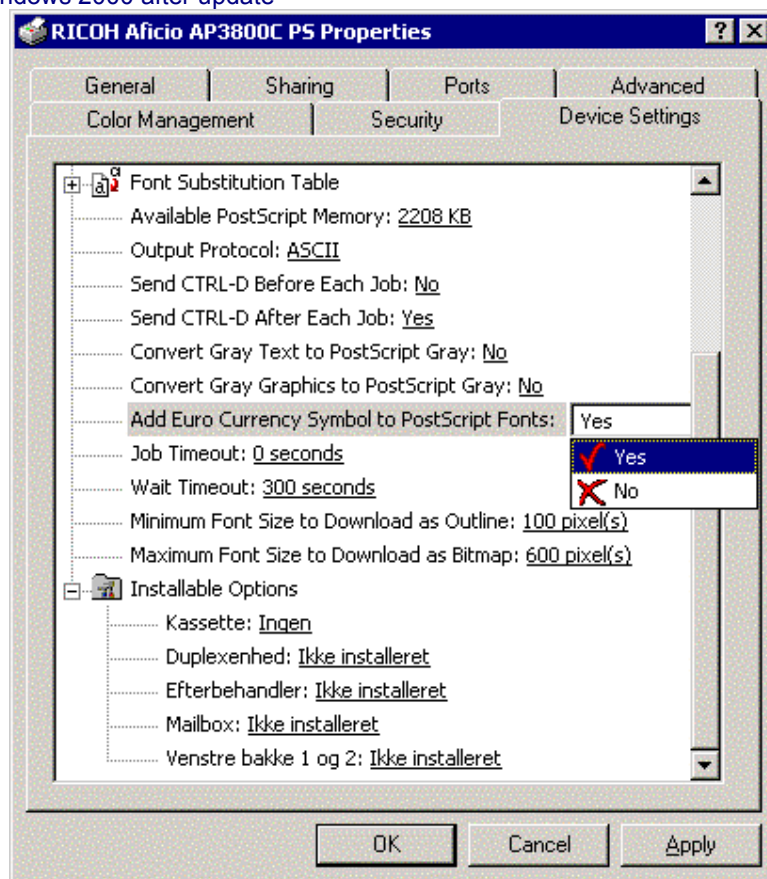
You can get it from the printer driver v1.0.6 on the Adobe web site that includes the W2000 driver v 5.5.2.

<http://www.adobe.com/support/downloads/product.jsp?product=44&platform=Windows>

Then the "Add Euro Currency Symbol to PostScript Fonts" check box is displayed.

Check "Add Euro Currency Symbol to PostScript Fonts".

Windows 2000 after update



Reissued: 20-Dec-02

| | | |
|-------------------|----------------|----------------|
| Model: Model K-P2 | Date: 4-Jun-02 | No.: RG073001c |
|-------------------|----------------|----------------|

RTB Update

The items in bold italics have been added.

| | | | |
|--|--|---|---|
| Subject: Printer Controller Firmware History | | Prepared by: A. Ishiyama | |
| From: Technical Services sec. Service Planning Dept. | | | |
| Classification: | <input type="checkbox"/> Troubleshooting | <input type="checkbox"/> Part information | <input checked="" type="checkbox"/> Action required |
| | <input type="checkbox"/> Mechanical | <input type="checkbox"/> Electrical | <input type="checkbox"/> Service manual revision |
| | <input type="checkbox"/> Paper path | <input type="checkbox"/> Transmit/receive | <input type="checkbox"/> Retrofit information |
| | <input type="checkbox"/> Other () | | |

The following is the printer controller firmware history for the Model K-P2 (Kir-P2: G073/G074 model).

| Part Number | Version | Production |
|-------------------------|--------------------|--------------------------------------|
| <i>G0735900G</i> | <i>1.07</i> | <i>October '02 production</i> |
| G0735900F | 1.05 | June '02 production |
| G0735900E | 1.04 | April '02 production |
| G0735900D | 1.03 | March '02 production |
| G0735900C | 1.02 | February '02 production |
| G0735900B | 1.01 | First mass production |

Note: The above firmware is being used in USA, European, and Asian models.

The firmware version 1.06 has been skipped, and therefore, it will not be released.

Reissued: 20-Dec-02

| | | |
|-------------------|----------------|----------------|
| Model: Model K-P2 | Date: 4-Jun-02 | No.: RG073001c |
|-------------------|----------------|----------------|

Descriptions of changes

| Descriptions | Version |
|---|--------------------|
| <p><i>Firmware modified to correct the following:</i></p> <ol style="list-style-type: none"> 1. <i>Polish wording error:</i> <i>Incorrect: Diskonaly</i> <i>Correct: Dostateczny</i> 2. <i>German wording error:</i> <i>Incorrect: WEP Einstelling</i> <i>Correct: WEP Einstellung</i> 3. <i>Changed the default setting of DHCP to ON.</i> <i>NOTE: There is no change when updating the firmware. This feature is for the factory default.</i> 4. <i>Support the new device type of wireless LAN (IEEE802.11b).</i> <i>Please refer to RTB #RG073004 for details which will be issued soon.</i> 5. <i>HTTP and telnet protocols can be opened/closed using telnet.</i> <i>NOTE: After making the setting to disable HTTP, you cannot access the target device through a web browser.</i> <i>If you want to change this setting, please use telnet to open HTTP.</i> <i>When the telnet port is disabled, you have to clear the network settings (Memory Clear for NCS) to open the telnet port.</i> 6. <i>The following has been fixed;</i> <i>PCL</i> <ul style="list-style-type: none"> • <i>The Euro font does not print correctly.</i> • <i>Line Spacing Command, "lochEsc&I#D"loch, causes incorrect output (GFPR#RC02050002)</i> • <i>Same line widths when BitSW #3-3 is ON in CAD printing (GFPR#RE02050016)</i> • <i>Some True Type fonts might not be bolded.</i> • <i>Slow Printing from AutoCAD (GFPR#RC02070001)</i> • <i>When using a bold font, lines may be printed on blank parts of the page.</i> <i>PS3</i> <ul style="list-style-type: none"> • <i>The printing speed of a PS job slows down after a PS3 job is reset.</i> • <i>PS print file is printed as text (GFPR#RE02040013)</i> • <i>Lines may be printed on the blank parts of a page.</i> • <i>The printer controller locks-up when printing from Unix Acrobat.</i> • <i>The Euro symbol is not printed when using the PS driver. (GFPR#RC02040005)</i> <i>Please refer to RTB #RGENE011 for how to resolve this issue.</i> | <p>1.07</p> |

Reissued: 20-Dec-02

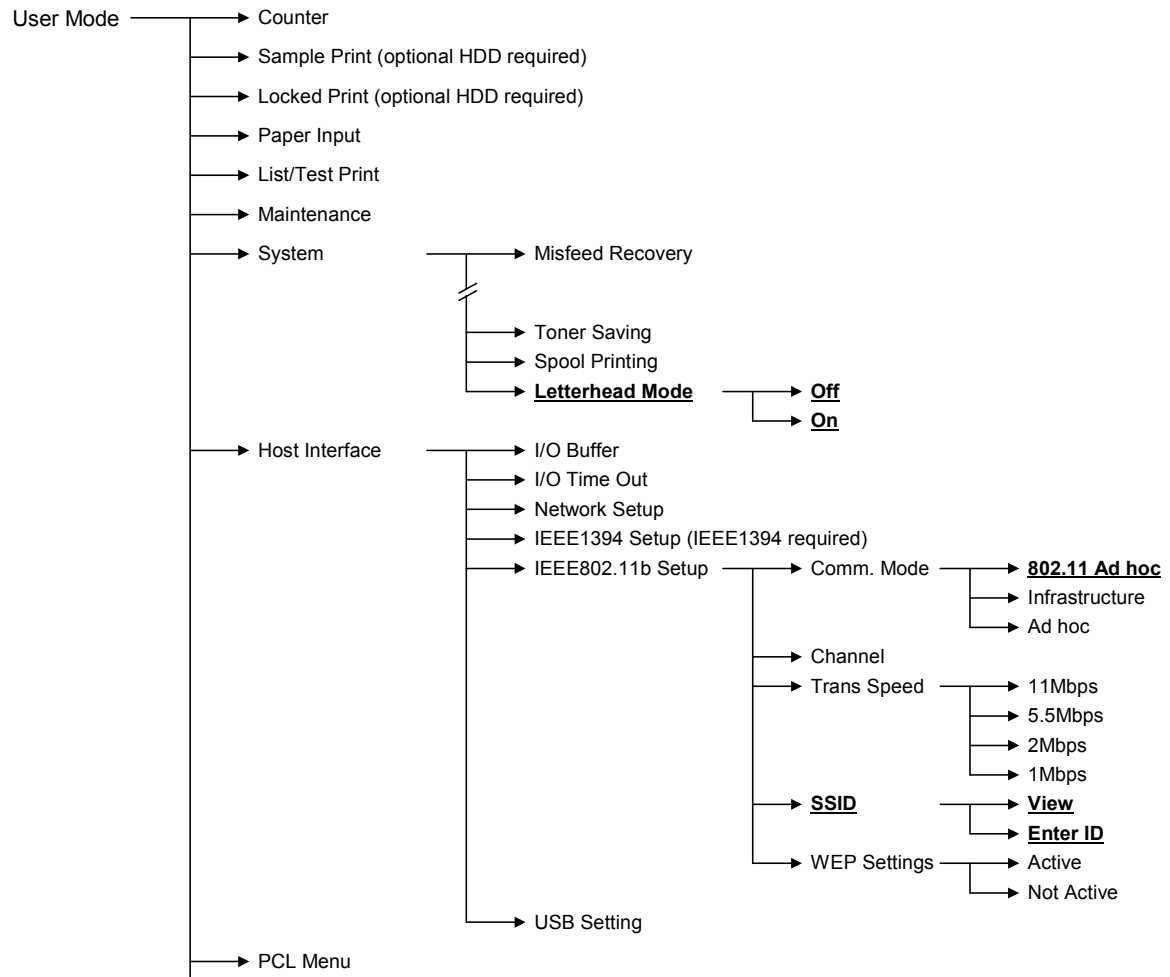
| Model: Model K-P2 | Date: 4-Jun-02 | No.: RG073001c |
|---|----------------|----------------|
| Descriptions | | Version |
| <p>The following have been fixed:</p> <p>PCL</p> <ul style="list-style-type: none"> • Certain characters do not print (GFPR #RC02010008) • Modified so that some characters in symbol sets MS Text and Windows Baltic (19L) will appear exactly as they do with HP printers. • Modified so that PCLXL unsupported symbol (6M, 13J and 14J) sets will appear as "XL ERROR". <p>Change in Specification:</p> <ul style="list-style-type: none"> • If the machine has no HDD option, the PCL HDD Directory List (and font source) will not be printed on the PCL Configuration Page. • Supports the Status Readback function of the PCL5e. • If SSID is not entered, the message "SSID not entered" will display on the control panel for 3 seconds. • Supports PCLXL Euro symbol sets (PC-858, Latin 9, and Roman 9). | | 1.05 |
| <p>Firmware modified to correct the following:</p> <ol style="list-style-type: none"> 1. SNMP vulnerability SNMP security vulnerabilities reported by CERT on Feb.12, 2002 have been confirmed and fixed through the PROTOS c06-snmpv1 test suite. -CERT: http://www.cert.org/advisories/CA-2002-03.html -PROTOS c06-snmpv1 test Suite: http://www.ee.oulu.fi/research/ouspg/protos/testing/c06/snmpv1/ | | |
| <p>New features added to User Mode (see next page for User Mode tree):</p> <ol style="list-style-type: none"> 1. Letterhead Mode On: The machine feeds all pages through the duplex unit so that the last page of an odd-paged job is printed onto the front side of the paper. Off (default setting): The last sheet of an odd-paged job is not fed through the duplex unit, therefore although the output time of this sheet is slightly faster, the last page is printed onto the rear side. 2. 802.11 Ad hoc mode (one type of Ad hoc mode used with wireless LAN) is supported from this version. 3. SSID (used for infrastructure mode with wireless LAN) can now also be programmed from User Mode. Previously, this was only possible using Web Status Monitor or telnet. 4. 128-bit WEP key (a wireless LAN security feature) is supported from this version. Previous versions supported only 64-bit WEP. | | 1.04 |
| <p>Firmware modified to correct the following problem:</p> <ol style="list-style-type: none"> 1. Program update error occurs when Verify mode in the firmware updating procedure is used. Please refer to the RTB No. G0730002 for details. 2. PM counter count-up method for Meter-charge mode is corrected. <p>Change in Specification: Symbol sets PC-858, Latin 9 and Roman 9 have been added for EURO currency symbol.</p> | | 1.03 |

Reissued: 20-Dec-02

| Model: Model K-P2 | Date: 4-Jun-02 | No.: RG073001c |
|--|----------------|----------------|
| Descriptions | | Version |
| Firmware modified to correct the following problem: While downloading PS fonts to a machine with the HDD option installed, the correct PS serial number cannot be output. | | 1.02 |

User Mode Tree

Underlined features have been added from version 1.04.



| | | | |
|--|---|---|--|
| Model: General RTB | | Date: 27-Dec-02 | No.: RGene012 |
| Subject: GW Products - Hardware Ethernet Problem | | Prepared by: T. Itoh | |
| From: Technical Services Sec. Service Planning Dept. | | | |
| Classification: | <input checked="" type="checkbox"/> Troubleshooting | <input type="checkbox"/> Part information | <input type="checkbox"/> Action required |
| | <input type="checkbox"/> Mechanical | <input type="checkbox"/> Electrical | <input type="checkbox"/> Service manual revision |
| | <input type="checkbox"/> Paper path | <input type="checkbox"/> Transmit/receive | <input type="checkbox"/> Retrofit information |
| | <input type="checkbox"/> Other () | | |
| | | | |

SYMPTOM

When the main switch is turned on, the error message “Hardware Ethernet Problem” may be displayed under the following condition on the GW-based products.

Conditions:

- Network speed on the hub has been set to 100Mbps fixed with full duplex, and
- Length of network cable is too long (60 m or more) or the cable quality is not good enough

CAUSE

When the main switch is turned on, the machine performs a loop-back test. If the cable length is too long or its quality is not good enough, the damping factor for the data transmission becomes worse, and the machine incorrectly detects an error during this test. This happens only when the network speed is set to 100Mbps fixed with full duplex. The PHY chip used on the controller board causes this.

SOLUTION

- Temporary Solution -

- Set the network speed on the hub to Auto-sensing,
- Use a shorter cable or a cable with a lower damping factor, or
- Disconnect the network cable and power on the printer; then, set the cable after the printer comes to the ready condition.

- Permanent Solution -

The controller firmware will be modified to avoid the incorrect detection of this error message. The schedule of firmware modification is as follows.

| Product Type | Product | Firmware Modification Cut-in Schedule |
|--------------|-------------|---------------------------------------|
| Fax | Kaiser 3 | at next modification |
| Printer | Model-K P1 | at next modification |
| | Model-K P2 | |
| | Model-J P1b | |
| | Model-J CF | |
| | Model-U P1e | |
| | Model-A P3 | '03 January production run |
| | Model-A P3 | '03 March production run |
| MFP | Model-R C2 | at next modification run |
| | Model-A C2 | |
| | Model-M C1 | |
| | Model-U C1 | '03 February production run |

NOTE:

Firmware will be posted in the usual manner when it is released.

Reissued: 7-Jan-03

| | | |
|-------------------|----------------|----------------|
| Model: Model K-P2 | Date: 4-Jun-02 | No.: RG073001d |
|-------------------|----------------|----------------|

RTB Update

The items in bold italics have been added.

| | | | |
|--|--|---|---|
| Subject: Printer Controller Firmware History | | Prepared by: A. Ishiyama | |
| From: Technical Services sec. Service Planning Dept. | | | |
| Classification: | <input type="checkbox"/> Troubleshooting | <input type="checkbox"/> Part information | <input checked="" type="checkbox"/> Action required |
| | <input type="checkbox"/> Mechanical | <input type="checkbox"/> Electrical | <input type="checkbox"/> Service manual revision |
| | <input type="checkbox"/> Paper path | <input type="checkbox"/> Transmit/receive | <input type="checkbox"/> Retrofit information |
| | <input type="checkbox"/> Other () | | |

The following is the printer controller firmware history for the Model K-P2 (Kir-P2: G073/G074 model).

| Part Number | Version | Production |
|-------------------------|--------------------|---------------------------------------|
| <i>G0735900H</i> | <i>1.08</i> | <i>December '02 production</i> |
| G0735900G | 1.07 | October '02 production |
| G0735900F | 1.05 | June '02 production |
| G0735900E | 1.04 | April '02 production |
| G0735900D | 1.03 | March '02 production |
| G0735900C | 1.02 | February '02 production |
| G0735900B | 1.01 | First mass production |

Note: The above firmware is being used in USA, European, and Asian models.
The firmware version 1.06 has been skipped, and therefore, it will not be released.

Descriptions of changes

| Descriptions | Version |
|---|--------------------|
| <p><i>Firmware modified to correct the following:</i></p> <ol style="list-style-type: none"> <i>The Form Lines value (under PCL Menu) changes after rebooting the machine. (GFPR# RA02090003)</i> <i>Response to the PJL INFO CONFIG command does not include the serial number.</i> <i>The print job may stop during processing of the file when using "INFICO". (GFPR# RE02090012)</i> <i>Wrong suffix of the firmware printed on the Configuration Page</i> | <i>1.08</i> |

Reissued: 7-Jan-03

| | | |
|-------------------|----------------|----------------|
| Model: Model K-P2 | Date: 4-Jun-02 | No.: RG073001d |
|-------------------|----------------|----------------|

| Descriptions | Version |
|--|---------|
| <p>Firmware modified to correct the following:</p> <ol style="list-style-type: none"> 1. Polish wording error: Incorrect: Diskonaly Correct: Dostateczny 2. German wording error: Incorrect: WEP Einstelling Correct: WEP Einstellung 3. Changed the default setting of DHCP to ON. NOTE: There is no change when updating the firmware. This feature is for the factory default. 4. Support the new device type of wireless LAN (IEEE802.11b). Please refer to RTB #RG073004 for details which will be issued soon. 5. HTTP and telnet protocols can be opened/closed using telnet. NOTE: After making the setting to disable HTTP, you cannot access the target device through web browser. If you want to change this settings, please use telnet to open HTTP. When telnet port is disabled, you have to clear the network settings (Memory Clear for NCS) to open the telnet port. 6. The following has been fixed; PCL <ul style="list-style-type: none"> • Euro font does not print correctly. • Line Spacing Command, "lochEsc&l#D"loch, causes incorrect output (GFPR#RC02050002) • Same line widths when BitSW #3-3 is ON in CAD printing (GFPR#RE02050016) • Some True Type font might not be bolded. • Slow Printing from AutoCAD (GFPR#RC02070001) • When using bold font, lines may be printed on the blank of page. PS3 <ul style="list-style-type: none"> • The printing speed of a PS job slows down after a PS3 job is reset. • PS print file is printed as text (GFPR#RE02040013) • Lines may be printed on the blank of page. • The printer controller locks-up when printing from Unix Acrobat. • Euro symbol is not printed when using PS driver. (GFPR#RC02040005) Please refer to RTB #RGENE011 which will be issued soon, for the procedure of how to fix this issue. | 1.07 |

Reissued: 7-Jan-03

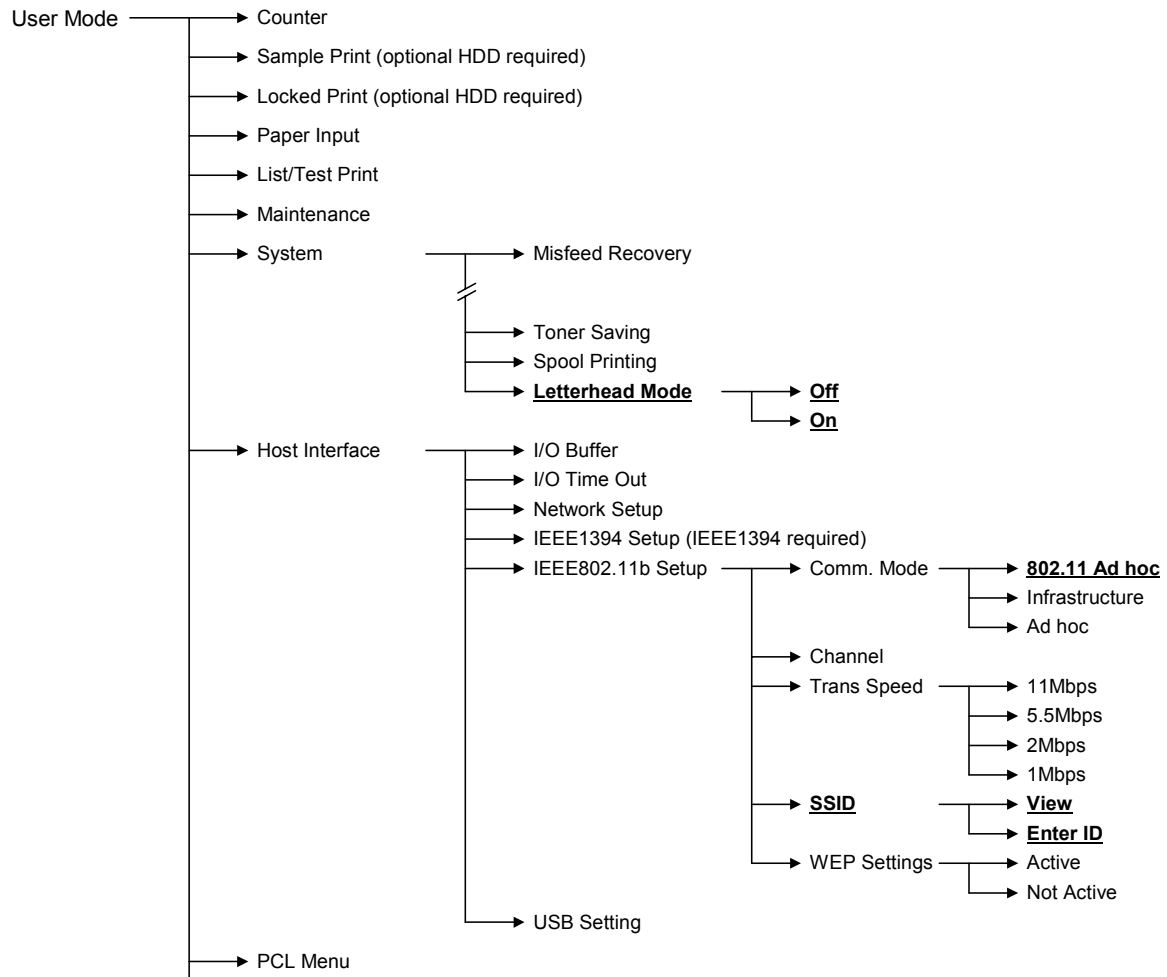
| Model: Model K-P2 | Date: 4-Jun-02 | No.: RG073001d |
|---|----------------|-----------------------------------|
| <p style="text-align: center;">Descriptions</p> <p>The following have been fixed:</p> <p>PCL</p> <ul style="list-style-type: none"> • Certain characters do not print (GFPR #RC02010008) • Modified so that some characters in symbol sets MS Text and Windows Baltic (19L) will appear exactly as they do with HP printers. • Modified so that PCLXL unsupported symbol (6M, 13J and 14J) sets will appear as "XL ERROR". <p>Change in Specification:</p> <ul style="list-style-type: none"> • If the machine has no HDD option, the PCL HDD Directory List (and font source) will not be printed on the PCL Configuration Page. • Supports the Status Readback function of the PCL5e. • If SSID is not entered, the message "SSID not entered" will display on the control panel for 3 seconds. • Supports PCLXL Euro symbol sets (PC-858, Latin 9, and Roman 9). | | <p>Version</p> <p>1.05</p> |
| <p>Firmware modified to correct the following:</p> <ol style="list-style-type: none"> 1. SNMP vulnerability SNMP security vulnerabilities reported by CERT on Feb.12, 2002 have been confirmed and fixed through the PROTOS c06-snmpv1 test suite. -CERT: http://www.cert.org/advisories/CA-2002-03.html -PROTOS c06-snmpv1 test Suite: http://www.ee.oulu.fi/research/ouspg/protos/testing/c06/snmpv1/ | | |
| <p>New features added to User Mode (see next page for User Mode tree):</p> <ol style="list-style-type: none"> 1. Letterhead Mode On: The machine feeds all pages through the duplex unit so that the last page of an odd-paged job is printed onto the front side of the paper. Off (default setting): The last sheet of an odd-paged job is not fed through the duplex unit, therefore although the output time of this sheet is slightly faster, the last page is printed onto the rear side. 2. 802.11 Ad hoc mode (one type of Ad hoc mode used with wireless LAN) is supported from this version. 3. SSID (used for infrastructure mode with wireless LAN) can now also be programmed from User Mode. Previously, this was only possible using Web Status Monitor or telnet. 4. 128-bit WEP key (a wireless LAN security feature) is supported from this version. Previous versions supported only 64-bit WEP. | | <p>1.04</p> |
| <p>Firmware modified to correct the following problem:</p> <ol style="list-style-type: none"> 1. Program update error occurs when Verify mode in the firmware updating procedure is used. Please refer to the RTB No. G0730002 for details. 2. PM counter count-up method for Meter-charge mode is corrected. <p>Change in Specification: Symbol sets PC-858, Latin 9 and Roman 9 have been added for EURO currency symbol.</p> | | <p>1.03</p> |

Reissued: 7-Jan-03

| Model: Model K-P2 | Date: 4-Jun-02 | No.: RG073001d |
|--|----------------|----------------|
| Descriptions | | Version |
| Firmware modified to correct the following problem: While downloading PS fonts to a machine with the HDD option installed, the correct PS serial number cannot be output. | | 1.02 |

User Mode Tree

Underlined features have been added from version 1.04.



Reissued: 13-Mar-03

| | | |
|-------------------|----------------|----------------|
| Model: Model K-P2 | Date: 4-Jun-02 | No.: RG073001e |
|-------------------|----------------|----------------|

RTB Update

The items in bold italics have been added.

| | | | |
|--|--|---|---|
| Subject: Printer Controller Firmware History | | Prepared by: A. Ishiyama | |
| From: Technical Services sec. Service Planning Dept. | | | |
| Classification: | <input type="checkbox"/> Troubleshooting | <input type="checkbox"/> Part information | <input checked="" type="checkbox"/> Action required |
| | <input type="checkbox"/> Mechanical | <input type="checkbox"/> Electrical | <input type="checkbox"/> Service manual revision |
| | <input type="checkbox"/> Paper path | <input type="checkbox"/> Transmit/receive | <input type="checkbox"/> Retrofit information |
| | <input type="checkbox"/> Other () | | |

The following is the printer controller firmware history for the Model K-P2 (Kir-P2: G073/G074 model).

| Part Number | Version | Production |
|-------------------------|--------------------|------------------------------------|
| <i>G0735900J</i> | <i>1.09</i> | <i>March '03 production</i> |
| G0735900H | 1.08 | December '02 production |
| G0735900G | 1.07 | October '02 production |
| G0735900F | 1.05 | June '02 production |
| G0735900E | 1.04 | April '02 production |
| G0735900D | 1.03 | March '02 production |
| G0735900C | 1.02 | February '02 production |
| G0735900B | 1.01 | First mass production |

Note: The above firmware is being used in USA, European, and Asian models.
The firmware version 1.06 has been skipped, and therefore, it will not be released.

Reissued: 13-Mar-03

| | | |
|-------------------|----------------|----------------|
| Model: Model K-P2 | Date: 4-Jun-02 | No.: RG073001e |
|-------------------|----------------|----------------|

Descriptions of changes

| Descriptions | Version |
|---|---------|
| <p><i>The following have been fixed;</i></p> <p><PCL></p> <ol style="list-style-type: none"> 1. <i>Selecting a HDD font or DIMM font may reduce the available memory. Note: SAP Barcode & OCR printing are supported from this version, fixing the above symptom.</i> 2. <i>Files with mixed paper sizes and orientations are not printed correctly.</i> 3. <i>Barcodes are sometimes separated when printed out (GFPR#RE03010016).</i> 4. <i>Supports mixed binding orientations with duplex jobs using cover sheets (GFPR# RC02080003).</i> 5. <i>The downloaded PCL Barcode fonts are not printed correctly on the PCL font list (GFPR#RC03010004).</i> 6. <i>The following problems with CAD print files have been fixed:</i> <ul style="list-style-type: none"> - <i>Modified the number of available pen selections from 8 to 256 when BitSw #3-3 is ON (GFPR# RE02030003).</i> - <i>The "null" character is ignored when it is included in HP/GL2 data. (GFPR# RE02050016).</i> - <i>The status flag for the bold selection command is refreshed when the command is selected in HP/GL2 data (GFPR# RE02050016).</i> 7. <i>Duplex face settings are not applied correctly when specified with PCL commands (GFPR#: RC02120014).</i> <p><System></p> <p><i>Data communication may be interrupted when using 802.11 Adhoc mode in a Wireless LAN environment.</i></p> | 1.09 |
| <p>Firmware modified to correct the following:</p> <ol style="list-style-type: none"> 1. Form Lines value (under PCL Menu) change after reboot the Machine. (GFPR# RA02090003) 2. Response to PJJ INFO CONFIG command does not include serial number. 3. The print may stop during the processing of the file when using "INFICO". (GFPR# RE02090012) 4. Wrong suffix of the firmware printed on the Configuration Page | 1.08 |

Reissued: 13-Mar-03

| | | |
|-------------------|----------------|----------------|
| Model: Model K-P2 | Date: 4-Jun-02 | No.: RG073001e |
|-------------------|----------------|----------------|

| Descriptions | Version |
|--|---------|
| <p>Firmware modified to correct the following:</p> <ol style="list-style-type: none"> 1. Polish wording error: Incorrect: Diskonaly Correct: Dostateczny 2. German wording error: Incorrect: WEP Einstelling Correct: WEP Einstellung 3. Changed the default setting of DHCP to ON. NOTE: There is no change when updating the firmware. This feature is for the factory default. 4. Support the new device type of wireless LAN (IEEE802.11b). Please refer to RTB #RG073004 for details which will be issued soon. 5. HTTP and telnet protocols can be opened/closed using telnet. NOTE: After making the setting to disable HTTP, you cannot access the target device through web browser. If you want to change this settings, please use telnet to open HTTP. When telnet port is disabled, you have to clear the network settings (Memory Clear for NCS) to open the telnet port. 6. The following has been fixed; PCL <ul style="list-style-type: none"> • Euro font does not print correctly. • Line Spacing Command, "lochEsc&l#D"loch, causes incorrect output (GFPR#RC02050002) • Same line widths when BitSW #3-3 is ON in CAD printing (GFPR#RE02050016) • Some True Type font might not be bolded. • Slow Printing from AutoCAD (GFPR#RC02070001) • When using bold font, lines may be printed on the blank of page. PS3 <ul style="list-style-type: none"> • The printing speed of a PS job slows down after a PS3 job is reset. • PS print file is printed as text (GFPR#RE02040013) • Lines may be printed on the blank of page. • The printer controller locks-up when printing from Unix Acrobat. • Euro symbol is not printed when using PS driver. (GFPR#RC02040005) Please refer to RTB #RGENE011 which will be issued soon, for the procedure of how to fix this issue. | 1.07 |

Reissued: 13-Mar-03

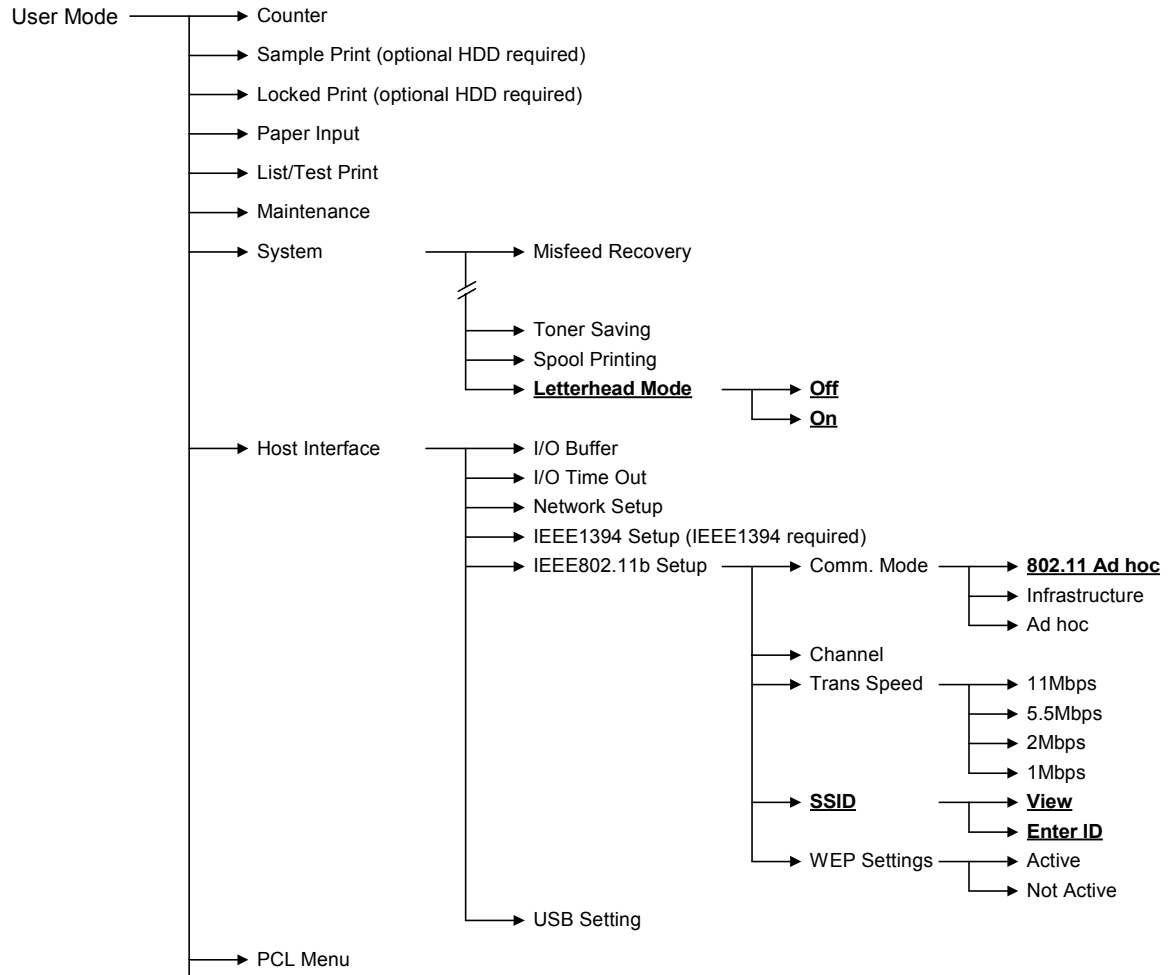
| Model: Model K-P2 | Date: 4-Jun-02 | No.: RG073001e |
|---|----------------|----------------|
| Descriptions | | Version |
| <p>The following have been fixed:</p> <p>PCL</p> <ul style="list-style-type: none"> • Certain characters do not print (GFPR #RC02010008) • Modified so that some characters in symbol sets MS Text and Windows Baltic (19L) will appear exactly as they do with HP printers. • Modified so that PCLXL unsupported symbol (6M, 13J and 14J) sets will appear as "XL ERROR". <p>Change in Specification:</p> <ul style="list-style-type: none"> • If the machine has no HDD option, the PCL HDD Directory List (and font source) will not be printed on the PCL Configuration Page. • Supports the Status Readback function of the PCL5e. • If SSID is not entered, the message "SSID not entered" will display on the control panel for 3 seconds. • Supports PCLXL Euro symbol sets (PC-858, Latin 9, and Roman 9). | | 1.05 |
| <p>Firmware modified to correct the following:</p> <ol style="list-style-type: none"> 1. SNMP vulnerability SNMP security vulnerabilities reported by CERT on Feb.12, 2002 have been confirmed and fixed through the PROTOS c06-snmpv1 test suite. -CERT: http://www.cert.org/advisories/CA-2002-03.html -PROTOS c06-snmpv1 test Suite: http://www.ee.oulu.fi/research/ouspg/protos/testing/c06/snmpv1/ | | |
| <p>New features added to User Mode (see next page for User Mode tree):</p> <ol style="list-style-type: none"> 1. Letterhead Mode On: The machine feeds all pages through the duplex unit so that the last page of an odd-paged job is printed onto the front side of the paper. Off (default setting): The last sheet of an odd-paged job is not fed through the duplex unit, therefore although the output time of this sheet is slightly faster, the last page is printed onto the rear side. 2. 802.11 Ad hoc mode (one type of Ad hoc mode used with wireless LAN) is supported from this version. 3. SSID (used for infrastructure mode with wireless LAN) can now also be programmed from User Mode. Previously, this was only possible using Web Status Monitor or telnet. 4. 128-bit WEP key (a wireless LAN security feature) is supported from this version. Previous versions supported only 64-bit WEP. | | 1.04 |
| <p>Firmware modified to correct the following problem:</p> <ol style="list-style-type: none"> 1. Program update error occurs when Verify mode in the firmware updating procedure is used. Please refer to the RTB No. G0730002 for details. 2. PM counter count-up method for Meter-charge mode is corrected. <p>Change in Specification: Symbol sets PC-858, Latin 9 and Roman 9 have been added for EURO currency symbol.</p> | | 1.03 |

Reissued: 13-Mar-03

| Model: Model K-P2 | Date: 4-Jun-02 | No.: RG073001e |
|--|----------------|----------------|
| Descriptions | | Version |
| Firmware modified to correct the following problem: While downloading PS fonts to a machine with the HDD option installed, the correct PS serial number cannot be output. | | 1.02 |

User Mode Tree

Underlined features have been added from version 1.04.



Reissued: 13-Apr-04

| | | |
|-------------------|----------------|----------------|
| Model: Model K-P2 | Date: 4-Jun-02 | No.: RG073006a |
|-------------------|----------------|----------------|

RTB Update

| | | | |
|--|--|---|---|
| Subject: Printer Controller Firmware History | | Prepared by: T. Shintani | |
| From: 1st Technical Support Sec. Service Support Dept. | | | |
| Classification: | <input type="checkbox"/> Troubleshooting | <input type="checkbox"/> Part information | <input checked="" type="checkbox"/> Action required |
| | <input type="checkbox"/> Mechanical | <input type="checkbox"/> Electrical | <input type="checkbox"/> Service manual revision |
| | <input type="checkbox"/> Paper path | <input type="checkbox"/> Transmit/receive | <input type="checkbox"/> Retrofit information |
| | <input type="checkbox"/> Other () | | |

Please see RTB #**RG073001f** for the firmware history information that was mistakenly released as RG073006.

Reissued: 13-Apr-04

| | | |
|-------------------|----------------|----------------|
| Model: Model K-P2 | Date: 4-Jun-02 | No.: RG073001f |
|-------------------|----------------|----------------|

RTB Update

The items in bold italics have been added.

| | | | |
|--|--|---|---|
| Subject: Printer Controller Firmware History | | Prepared by: T.Shintani | |
| From: 1st Technical Support Sec. Service Support Dept. | | | |
| Classification: | <input type="checkbox"/> Troubleshooting | <input type="checkbox"/> Part information | <input checked="" type="checkbox"/> Action required |
| | <input type="checkbox"/> Mechanical | <input type="checkbox"/> Electrical | <input type="checkbox"/> Service manual revision |
| | <input type="checkbox"/> Paper path | <input type="checkbox"/> Transmit/receive | <input type="checkbox"/> Retrofit information |
| | <input type="checkbox"/> Other () | | |

The following is the printer controller firmware history for the Model K-P2 (Kir-P2: G073/G074 model).

| Part Number | Version | Production |
|-------------------------|--------------------|----------------------------------|
| <i>G0735900J</i> | <i>1.10</i> | <i>For service parts*</i> |
| G0735900J | 1.09 | March '03 production |
| G0735900H | 1.08 | December '02 production |
| G0735900G | 1.07 | October '02 production |
| G0735900F | 1.05 | June '02 production |
| G0735900E | 1.04 | April '02 production |
| G0735900D | 1.03 | March '02 production |
| G0735900C | 1.02 | February '02 production |
| G0735900B | 1.01 | First mass production |

***: This change has only been applied to Service Parts, as this model has been discontinued.**

Note: The above firmware is being used in USA, European, and Asian models.
The firmware version 1.06 has been skipped, and therefore, it will not be released.

Reissued: 13-Apr-04

| | | |
|-------------------|----------------|----------------|
| Model: Model K-P2 | Date: 4-Jun-02 | No.: RG073001f |
|-------------------|----------------|----------------|

| Symptom Corrected | Version |
|--|--------------------|
| <p>Firmware modified to correct the following:</p> <ol style="list-style-type: none"> <i>If the maintenance kit replacement timing coincides with a Toner End condition, only the kit replacement message is displayed (no Toner End message is displayed).</i> <i>If an error condition (e.g. cover open, jam) occurs while the maintenance kit replacement message is being displayed, the appropriate error message appears but remains even after the error condition has been cleared.</i> <p><PCL></p> <ol style="list-style-type: none"> <i>Merged jobs (PCL/PS) cannot be printed (TechMail#TS030100).</i> <i>The controller locks up when all of the following conditions occur (GFPR RC03100014).</i> <ul style="list-style-type: none"> <i>PCL/PS auto switching is ON</i> <i>The 255th byte of the print data is null (zeros)</i> <i>The <ESC>E command occurs somewhere in the first 128 bytes.</i> <i>The form overlay and text in a PCL job are printed separately (GFPR #RC03080015).</i> <i>Vector lines are shifted slightly to the side with Overlay Printing (PCL 5c 1.4.0.0): GFPR #RC03070024.</i> <i>Incorrect font size settings when printing a multi-page document in PCL format: GFPR #RC03090002.</i> <i>SC819 occurs when sending with an RPCS driver for Windows XP via a USB connection.</i> <i>SC818 occurs if print jobs are continually sent via a USB connection.</i> | <p>1.10</p> |
| <p>Firmware modified to correct the following:</p> <p><PCL></p> <ol style="list-style-type: none"> Selecting HDD font or DIMM font may reduce the available memory. Note: SAP Barcode & OCR printing are supported from this version, fixing the above symptom. Files with mixed paper sizes and orientations are not printed correctly. Barcodes are sometimes separated when printed out (GFPR#RE03010016). Supports mixed binding orientations with duplex jobs using cover sheets (GFPR# RC02080003). The downloaded PCL Barcode fonts are not printed correctly on the PCL font list (GFPR#RC03010004). The following problems with CAD print files have been fixed: <ul style="list-style-type: none"> Modified the number of available pen selections from 8 to 256 when BitSw #3-3 is ON (GFPR# RE02030003). The "null" character is ignored when it is included in HP/GL2 data. (GFPR# RE02050016). The status flag for the bold selection command is refreshed when the command is selected in HP/GL2 data (GFPR# RE02050016). Duplex face settings are not applied correctly when specified with PCL commands (GFPR#: RC02120014). <p><System> Data communication may be interrupted when using 802.11 Adhoc mode in a Wireless LAN environment.</p> | <p>1.09</p> |

Reissued: 13-Apr-04

| | | |
|-------------------|----------------|----------------|
| Model: Model K-P2 | Date: 4-Jun-02 | No.: RG073001f |
|-------------------|----------------|----------------|

| Symptom Corrected | Version |
|--|---------|
| <p>Firmware modified to correct the following:</p> <ol style="list-style-type: none"> Form Lines value (under PCL Menu) change after reboot the Machine. (GFPR# RA02090003) Response to PJL INFO CONFIG command does not include serial number. The print may stop during the processing of the file when using "INFICO". (GFPR# RE02090012) Wrong suffix of the firmware printed on the Configuration Page | 1.08 |
| <p>Firmware modified to correct the following:</p> <ol style="list-style-type: none"> Polish wording error: Incorrect: Diskonaly Correct: Dostateczny German wording error: Incorrect: WEP Einstellung Correct: WEP Einstellung Changed the default setting of DHCP to ON. NOTE: There is no change when updating the firmware. This feature is for the factory default. Support the new device type of wireless LAN (IEEE802.11b). Please refer to RTB #RG073004 for details which will be issued soon. HTTP and telnet protocols can be opened/closed using telnet. NOTE: After making the setting to disable HTTP, you cannot access the target device through web browser. If you want to change this settings, please use telnet to open HTTP. When telnet port is disabled, you have to clear the network settings (Memory Clear for NCS) to open the telnet port. The following has been fixed; PCL <ul style="list-style-type: none"> Euro font does not print correctly. Line Spacing Command, "lochEsc&l#D"loch, causes incorrect output (GFPR#RC02050002) Same line widths when BitSW #3-3 is ON in CAD printing (GFPR#RE02050016) Some True Type font might not be bolded. Slow Printing from AutoCAD (GFPR#RC02070001) When using bold font, lines may be printed on the blank of page. PS3 <ul style="list-style-type: none"> The printing speed of a PS job slows down after a PS3 job is reset. PS print file is printed as text (GFPR#RE02040013) Lines may be printed on the blank of page. The printer controller locks-up when printing from Unix Acrobat. Euro symbol is not printed when using PS driver. (GFPR#RC02040005) Please refer to RTB #RGENE011 which will be issued soon, for the procedure of how to fix this issue. | 1.07 |

Reissued: 13-Apr-04

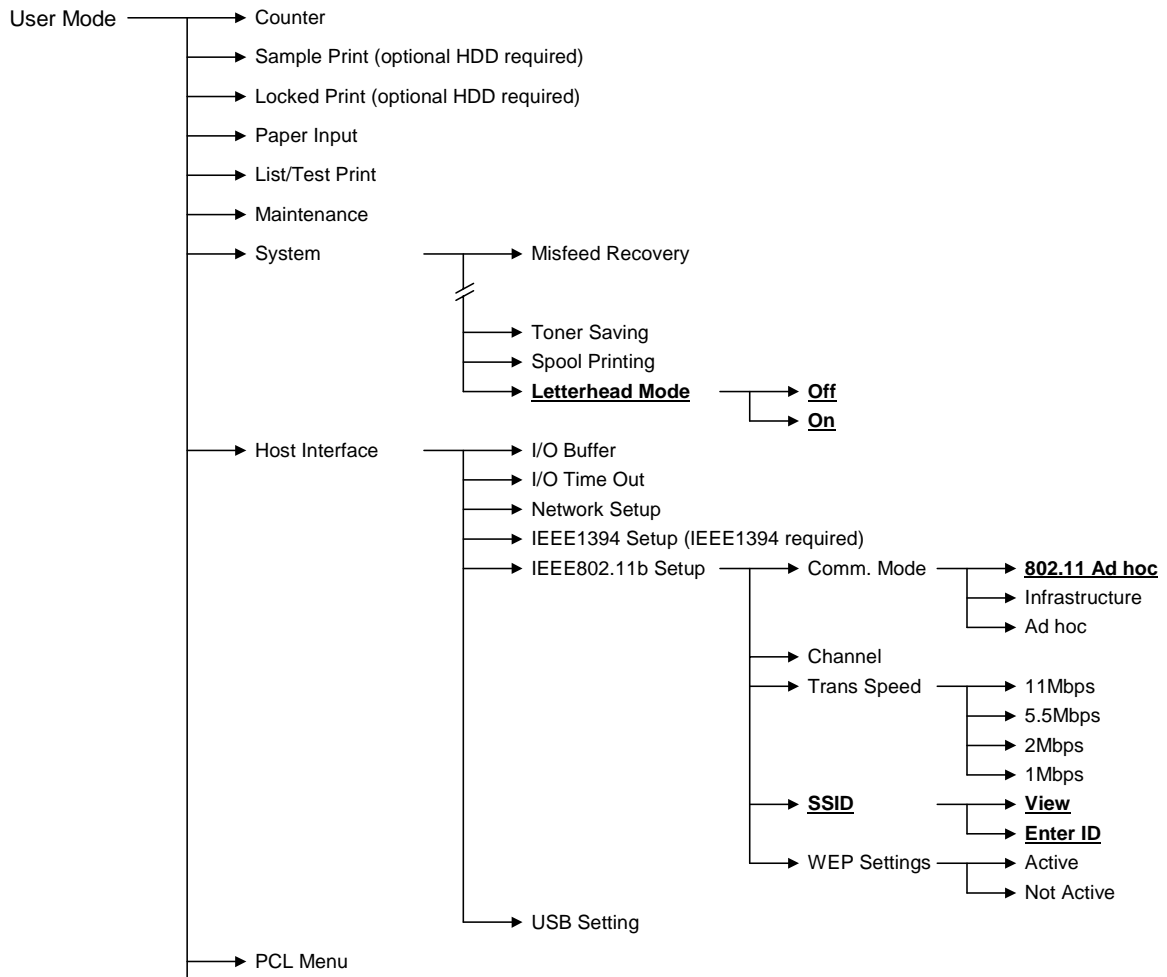
| Model: Model K-P2 | Date: 4-Jun-02 | No.: RG073001f |
|---|----------------|-----------------------------------|
| <p style="text-align: center;">Symptom Corrected</p> <p>The following have been fixed:</p> <p>PCL</p> <ul style="list-style-type: none"> • Certain characters do not print (GFPR #RC02010008) • Modified so that some characters in symbol sets MS Text and Windows Baltic (19L) will appear exactly as they do with HP printers. • Modified so that PCLXL unsupported symbol (6M, 13J and 14J) sets will appear as "XL ERROR". <p>Change in Specification:</p> <ul style="list-style-type: none"> • If the machine has no HDD option, the PCL HDD Directory List (and font source) will not be printed on the PCL Configuration Page. • Supports the Status Readback function of the PCL5e. • If SSID is not entered, the message "SSID not entered" will display on the control panel for 3 seconds. • Supports PCLXL Euro symbol sets (PC-858, Latin 9, and Roman 9). | | <p>Version</p> <p>1.05</p> |
| <p>Firmware modified to correct the following:</p> <ol style="list-style-type: none"> 1. SNMP vulnerability SNMP security vulnerabilities reported by CERT on Feb.12, 2002 have been confirmed and fixed through the PROTOS c06-snmpv1 test suite. -CERT: http://www.cert.org/advisories/CA-2002-03.html -PROTOS c06-snmpv1 test Suite: http://www.ee.oulu.fi/research/ouspg/protos/testing/c06/snmpv1/ | | |
| <p>New features added to User Mode (see next page for User Mode tree):</p> <ol style="list-style-type: none"> 1. Letterhead Mode On: The machine feeds all pages through the duplex unit so that the last page of an odd-paged job is printed onto the front side of the paper. Off (default setting): The last sheet of an odd-paged job is not fed through the duplex unit, therefore although the output time of this sheet is slightly faster, the last page is printed onto the rear side. 2. 802.11 Ad hoc mode (one type of Ad hoc mode used with wireless LAN) is supported from this version. 3. SSID (used for infrastructure mode with wireless LAN) can now also be programmed from User Mode. Previously, this was only possible using Web Status Monitor or telnet. 4. 128-bit WEP key (a wireless LAN security feature) is supported from this version. Previous versions supported only 64-bit WEP. | | <p>1.04</p> |
| <p>Firmware modified to correct the following problem:</p> <ol style="list-style-type: none"> 1. Program update error occurs when Verify mode in the firmware updating procedure is used. Please refer to the RTB No. G0730002 for details. 2. PM counter count-up method for Meter-charge mode is corrected. <p>Change in Specification: Symbol sets PC-858, Latin 9 and Roman 9 have been added for EURO currency symbol.</p> | | <p>1.03</p> |

Reissued: 13-Apr-04

| Model: Model K-P2 | Date: 4-Jun-02 | No.: RG073001f |
|--|----------------|----------------|
| Symptom Corrected | | Version |
| Firmware modified to correct the following problem: While downloading PS fonts to a machine with the HDD option installed, the correct PS serial number cannot be output. | | 1.02 |

User Mode Tree

Underlined features have been added from version 1.04.



| | | | |
|--|---|--|---|
| Model: Model K-P2 | | Date: 19-Apr-05 | No.: RG073007 |
| Subject: Controller NVRAM | | Prepared by: A. Ishiyama | |
| From: 1st Technical Support Sec. Service Support Dept. | | | |
| Classification: | <input type="checkbox"/> Troubleshooting <input type="checkbox"/> Mechanical <input type="checkbox"/> Paper path <input type="checkbox"/> Other () | <input checked="" type="checkbox"/> Part information <input type="checkbox"/> Electrical <input type="checkbox"/> Transmit/receive | <input type="checkbox"/> Action required <input type="checkbox"/> Service manual revision <input type="checkbox"/> Retrofit information |

Important Note: Blank NVRAM Service Parts

When you replace the controller NVRAM in the field, use the part shown below. This part is already listed in the Parts Catalog.

| Model | Part No. | Description | IC No. | Product Code | Parts Catalog Information | |
|-------|----------|-------------------------|--------|--------------|---------------------------|-------|
| | | | | | Page | Index |
| K-P1 | 14075335 | RAM – STK12C68-P55 | IC27 | G056/G058 | 27, 29 | 119 |
| K-P2 | 14075497 | RAM – FM1808-120-P | IC54 | G073 | 27, 29 | 124 |
| | | | | G074 | 31, 33 | 121 |
| K-P3 | 14075856 | RAM – FM18L08-70-P | IC68 | G091 | 29, 35 | 126 |
| K-P4 | 14076465 | RAM:FM25L256-PG(REV.AG) | IC5 | G116 | 40, 45 | 130 |
| C-P1 | 14075856 | RAM – FM18L08-70-P | IC68 | G094 | 31, 37 | 122 |
| | | | | G095 | 41, 47 | 126 |
| C-P2b | 14075856 | RAM – FM18L08-70-P | IC68 | G112 | 53, 57 | 121 |
| C-P2c | 14076465 | RAM:FM25L256-PG(REV.AG) | IC5 | G113 | 60, 65 | 130 |

- This is **completely blank** NVRAM. When you get this part from the Parts Center, it does **not** have a value of “0”.
- After you install this NVRAM and turn the power OFF/ON, the machine will put a value of “0” inside the NVRAM.

IMPORTANT: When you install this NVRAM, make sure it is a completely new service part. **DO NOT** install the NVRAM if it was already used. If you do, machine problems can occur.